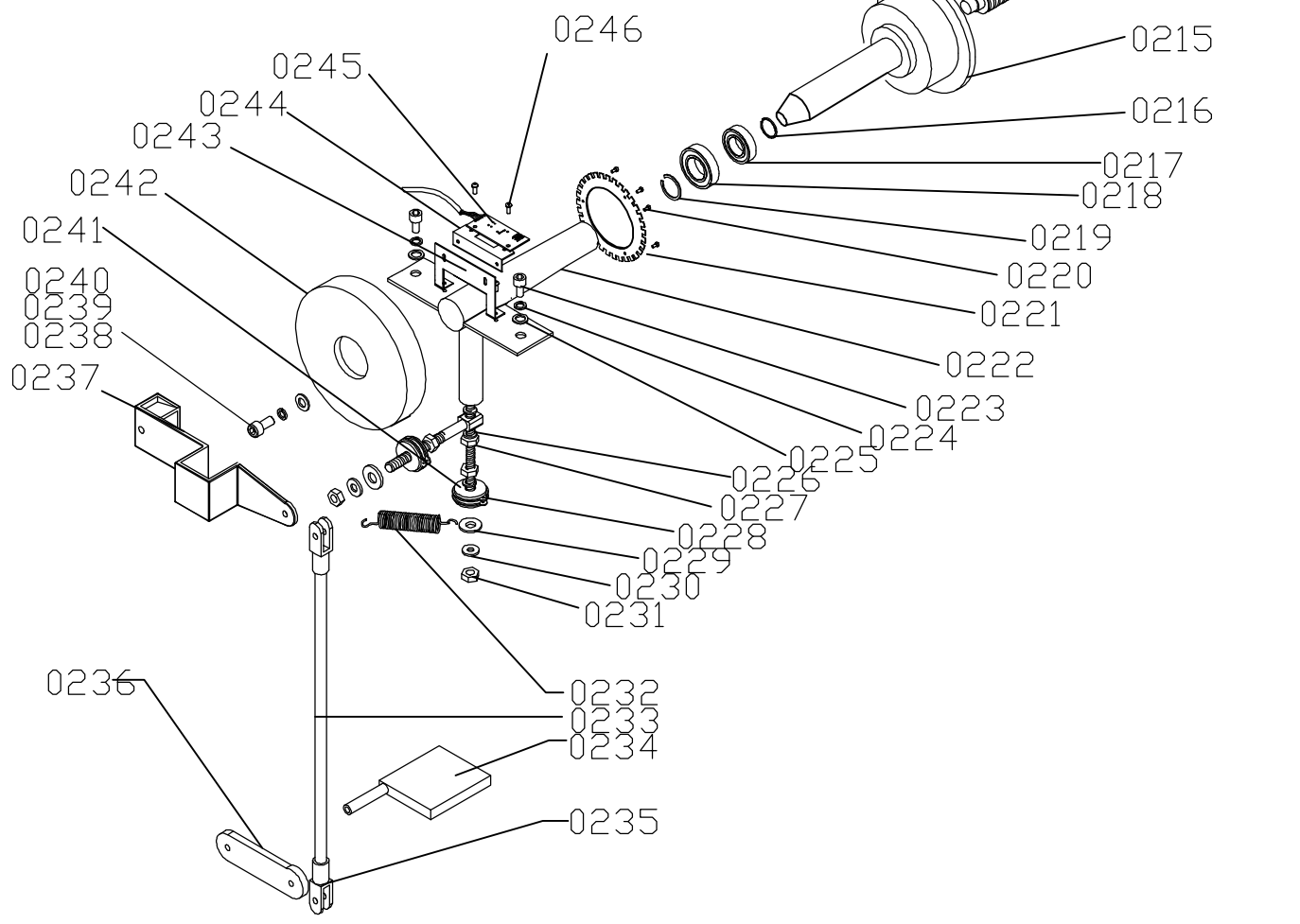
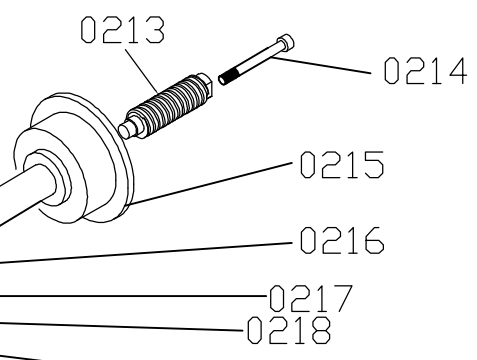
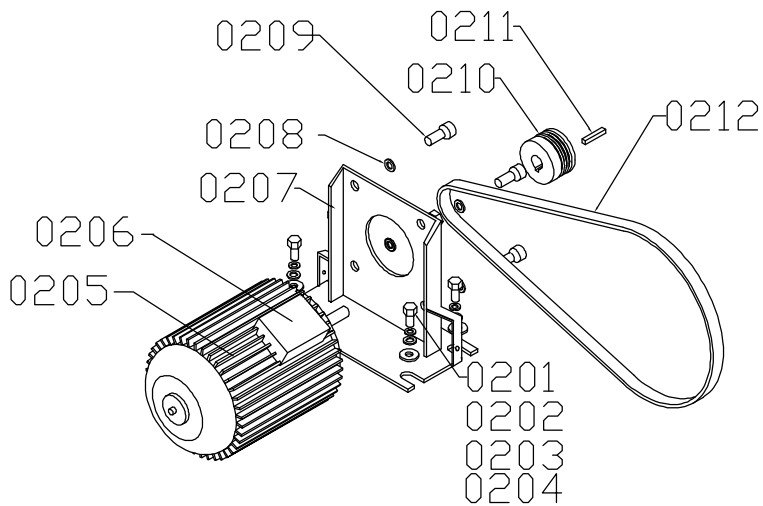
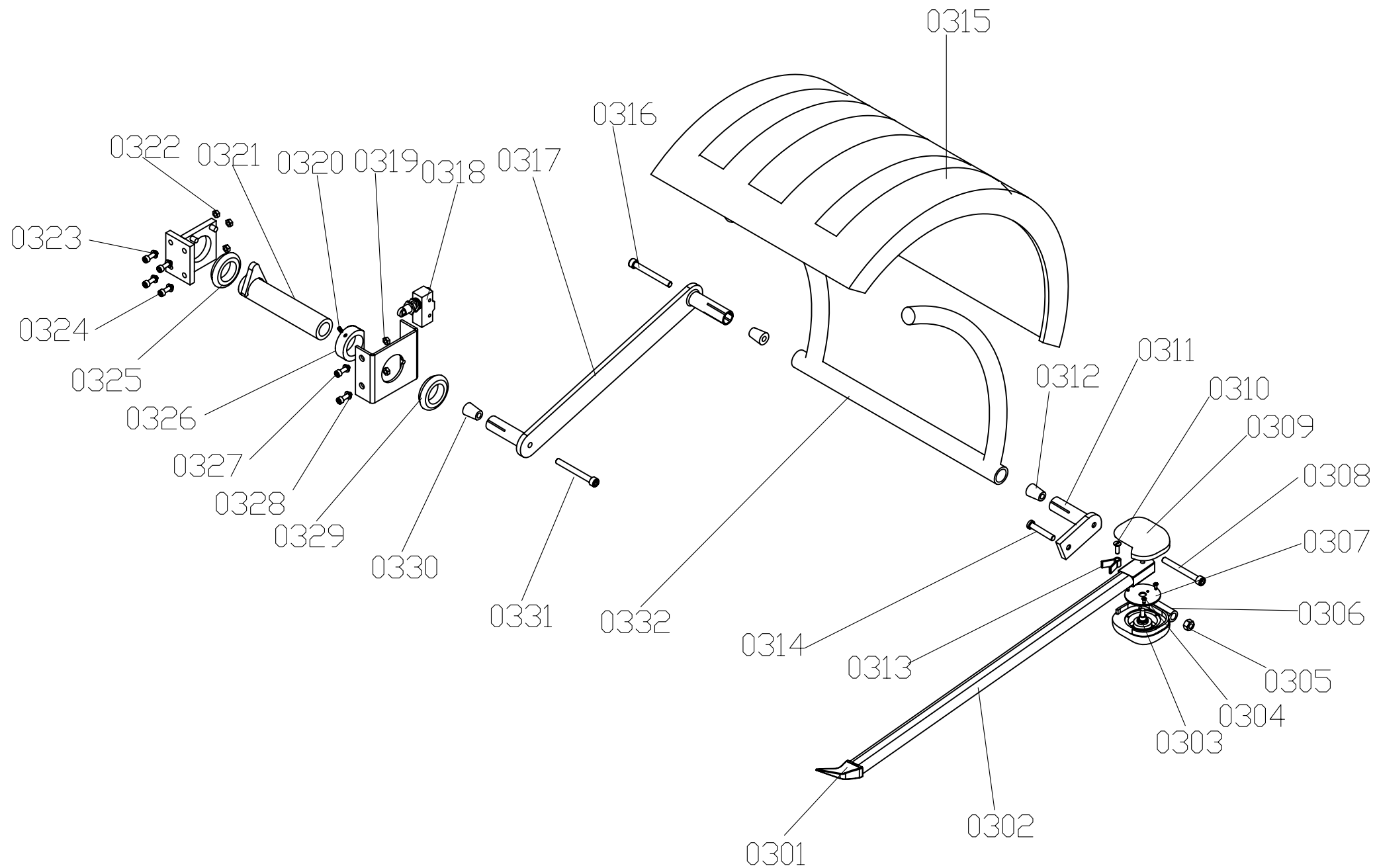


CB-890 Exploded drawing list

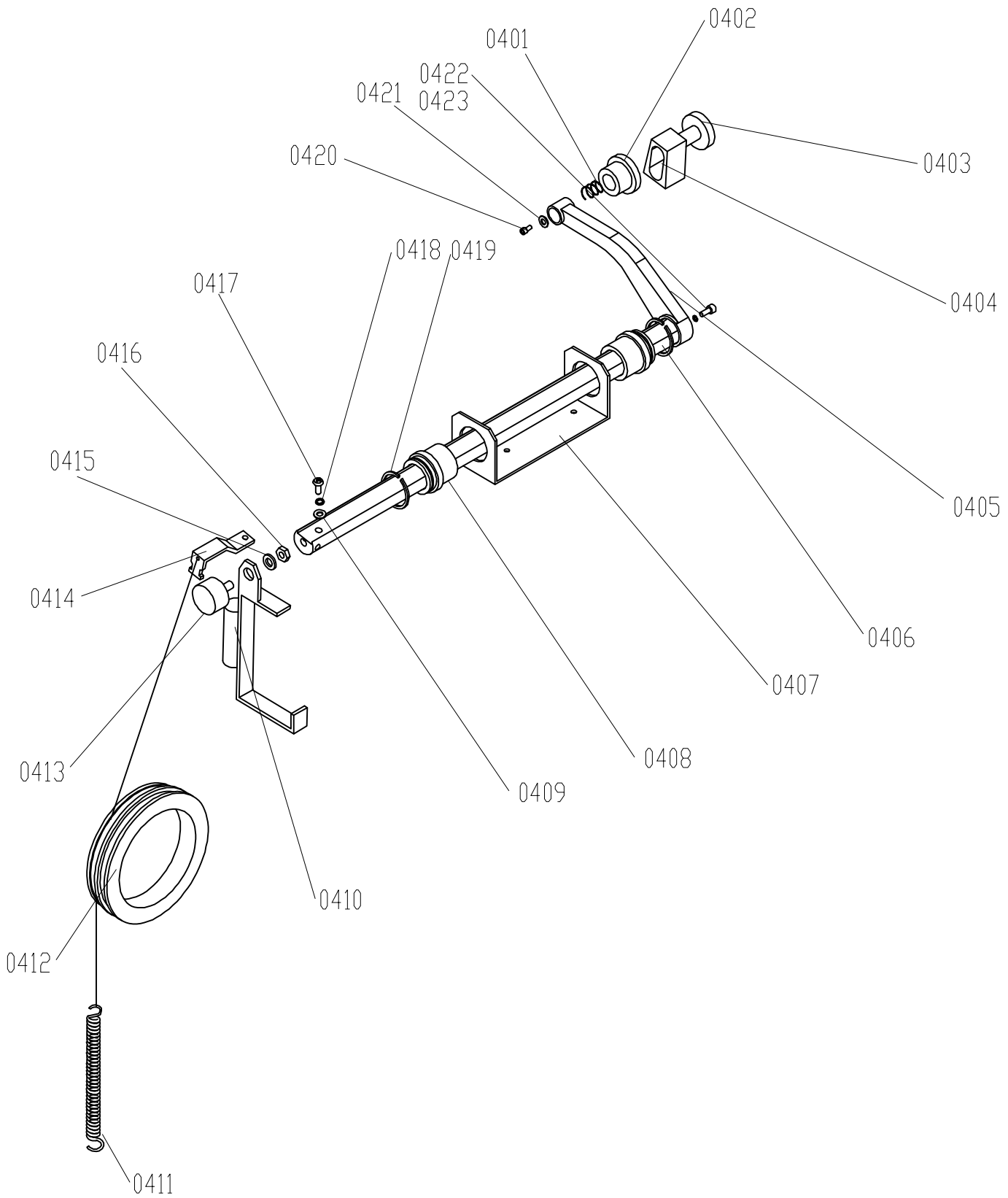
Sl. No.	Description	名称
0101	Up plastic cover	箱体吸塑罩
0102	Protective cover for pedal	脚踏护罩
0103	Pedal	脚踏板
0104	cabinet	箱体
0105	Tool case holder	工具箱支板
0106	Power wire	电源线
0107	Holding screw	过线卡箍
0108	Plastic holder	挂件柱
0109	Screw M4 x 16	螺钉M4 x16
0110	flat washer 4	平垫 4
0111	Power plug	电源开关
0112	Tool case	工具箱
0113	Power board	电源板
0114	flat washer 4	平垫 4
0115	Screw M4X30	半圆头螺钉M4X30
0116	Upper Display fasten plate	显示器下固定板
0117	Downside Display fasten plate	显示器上固定板
0118	Corss sunk bolt M4X12	十字槽沉头螺钉M4X12
0119	Closing plate M6	锁紧螺母M6
0120	Flat washer 6	平垫 Φ6
0121	Spring washer 6	弹簧垫 Φ6
0122	Corss sunk bolt M4X12	十字槽沉头螺钉M4X12
0123	Turning sheath for Display screen	显示器旋转套
0124	Swing board for Display screen	显示器摆动板
0125	Display screen	显示器



0201	Outer hexagonal bolt M8X20	外六角螺丝M8X20
0202	Spring washer 8	弹垫 8
0203	washer 8	平垫 8
0204	Big flat washer	大平垫
0205	Motor	电机
0206	Motor capacitance	电机电容
0207	Motor base	电机座板
0208	Spring washer 6	弹垫 6
0209	inner hexagonal bolt M6×16	内六角螺栓M6X16
0210	Flat key	平键
0211	Motor belt wheel	皮带轮
0212	Belt	传送带
0213	Principal shaft spindle	主轴丝杠
0214	inner hexagonal bolt M14×240	内六角螺栓 M14×240
0215	Principal shaft sheath	主轴大碗
0216	Snap ring 25	轴用弹性挡圈 25
0217	Bearing 6005Z	轴承6005Z
0218	Bearing 6006Z	轴承6006Z
0219	Snap ring φ30	轴用弹性挡圈φ30
0220	Aluminous rivet 2.5X10	铝铆钉2.5X10
0221	Photoelectric plate	光电盘
0222	Flange for principal shaft sheath	主轴套
0223	Inner hexagonal bolt M10×20	内六角螺丝 M10X20
0224	Spring washer 10	弹垫 10
0225	Flat washer 10	平垫 10
0226	Bolt	螺杆
0227	Screw 10	螺母 10
0228	Pressure sensor	压力传感器
0229	Flat washer 10	平垫 10
0230	Spring washer 10	弹垫 10
0231	Screw 10	螺母 10
0232	Driving spring for pedal	脚踏拉簧
0233	Connecting pole for Pedal	脚踏连杆
0234	Pedal	脚踏板
0235	Connector for pedal connecting pole	脚踏连拉接头
0236	Connecting plate for pedal	脚踏连板
0237	Brake	刹车板
0238	Inner hexagonal bolt M10X20	内六角螺丝M10X20
0239	Spring washer 10	弹垫 10
0240	Flat washer 10	平垫 10
0241	Pressure washer	陶瓷片压垫
0242	Big belt	大皮带轮
0243	Fixing holder for photoelectric switch1	光电开关固定架1
0244	Fixing holder for photoelectric switch2	光电开关固定架2
0245	Photoelectric switch	光电开关
0246	Bolt M3×10	半圆头螺钉M3X10



0301	B gauge end	外拉尺头
0302	B gauge pole	外拉尺杆
0303	potentiometer	电位器
0304	Cross sunk head bolt M 4 X 12	十字槽沉头螺钉 M4 X 12
0305	Stop nut M10	止动螺母 M10
0306	lower cover for B gauge	外拉尺盒下盖
0307	clapboard for B gauge	外拉尺隔板
0308	Inner hexagonal bolt M10X70	内六角螺栓M10X70
0309	upper cover for B gauge	外拉尺盒上盖
0310	cross sunk head bolt M 5 X 12	十字槽沉头螺钉 M5 X 12
0311	Fasten bracket for B gauge	外拉尺固定支架
0312	Locking bolt	锁紧锥
0313	Spring washer	弹簧片
0314	Swing axis pin for B gauge box	外拉尺盒摆动销轴
0315	Protective cover	护罩
0316	Inner hexagonal bolt M10X70	内六角螺栓M10X70
0317	Holder for Protective cover	护罩支架
0318	Limited position switch	限位开关
0319	Stop nut M8	止动螺母 M8
0320	Inner hexagonal bolt M4	内六角螺栓M4
0321	Swing axle for Protective Cover	护罩摆动轴
0322	Nut M4	螺母 M4
0323	flat washer 4	平垫圈 4
0324	Inner hexagonal bolt M8X20	内六角螺栓M8X20
0325	neck bush	内衬套
0326	Swing Wheel	摆动轮
0327	Inner hexagonal bolt M8X20	内六角螺栓M8X20
0328	flat washer 8	平垫圈 8
0329	outer bush	外衬套
0330	Locking bolt	锁紧锥
0331	Inner hexagonal bolt M10X70	内六角螺栓M10X70
0332	Protective Cover Support	防护罩支架



0401	Pressing spring for gauge end	尺头压簧
0402	assembly parts for guage end 1	尺头组件1
0403	assembly parts for guage end 2	尺头组件2
0404	assembly parts for guage end 3	尺头组件3
0405	gauge handle	拉尺把手
0406	guage pole	拉尺杆
0407	gauge ruler	拉尺杆架
0408	guage ruler sheath	拉尺杆套
0409	Flat washer	平垫
0410	counter weight support	配重架
0411	driving spring for gauge	拉尺拉簧
0412	wire wheel	滚线轮
0413	potentiometer	电位器
0414	wire through board	过线板
0415	flat washer 8	平垫8
0416	thin nut 8	薄螺母8
0417	bolt	螺钉
0418	spring washer	弹垫
0419	spring retainer ring	弹簧挡圈
0420	inner hexognal bolt M4X20	内六角螺钉M4X20
0421	flat washer 4	平垫4
0422	inner hexognal bolt M6X16	内六角螺栓M6X16
0423	flat washer 6	平垫6